





MODEL : FBDSRA-217A + FBMIRR-217A

REVISION : A

Component List

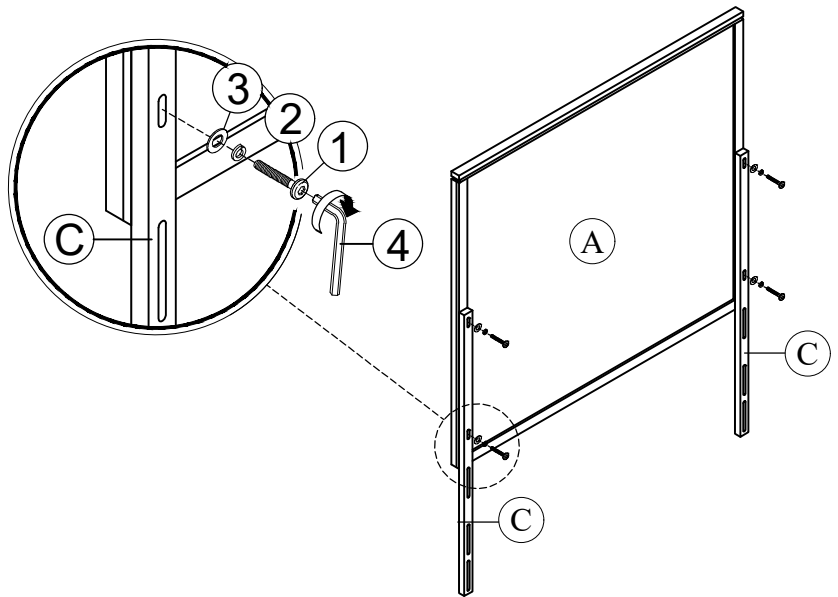
No	Description	Qty
A	Mirror	1
B	Dresser	1
C	Mirror Support	2

Hardware List

No	Description	Qty
1	JCBC M6 x 35mm 	8
2	Spring Washer Ø1/4" 	8
3	Flat Washer Ø1/4" x 20mm 	8
4	L Key M4 x 65mm 	1

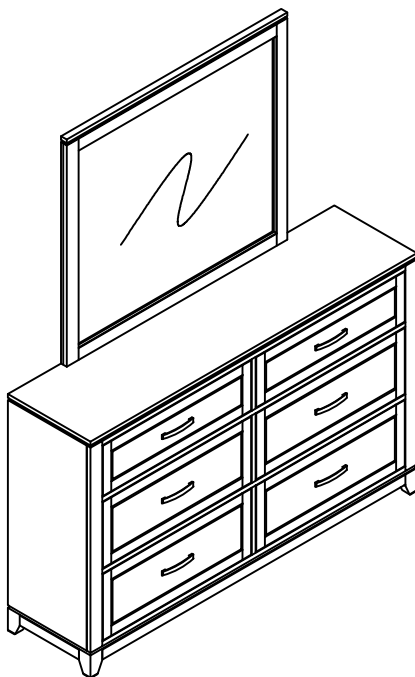
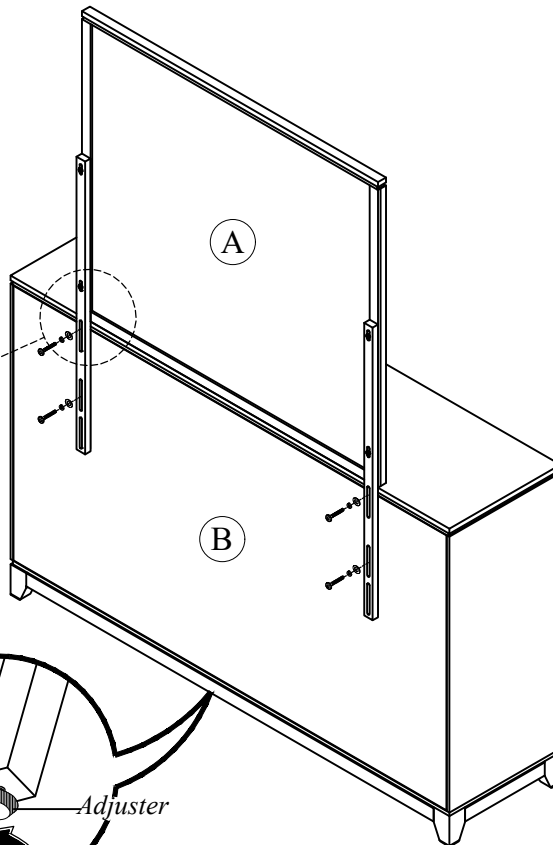
STEP 1

Attach Mirror Support (C) to the Mirror (A) back, then tighten with JCBC M6 x 35mm (1), Spring Washer Ø 1/4" (2), Flat Washer Ø 1/4" x 20mm (3) and fully tighten with L Key M4 (4).

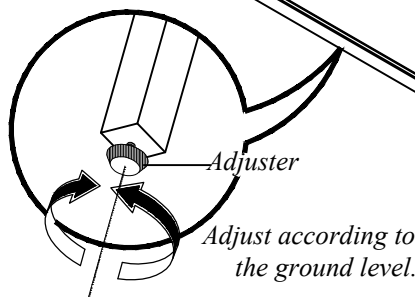
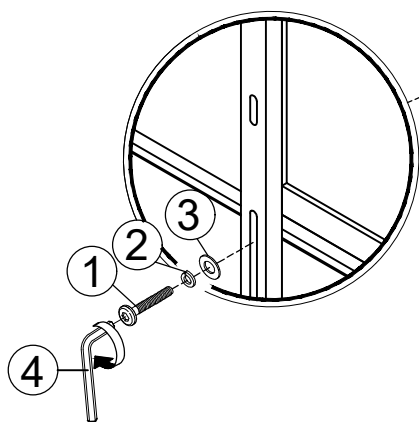


STEP 2

Place the mirror with support on the top of dresser (B). Then align center as shown and tighten with JCBC screw (1), Spring Washer (2), Flat Washer (3). Tighten using L Key M4 (4).



ASSEMBLY COMPLETED



NOTE : MUST TIGHTEN SCREWS PERIODICALLY WITH USE SCREW WILL BECOME LOOSE. CHECK TIGHTNESS OF ALL SCREW EVERY 6-8 WEEKS.